

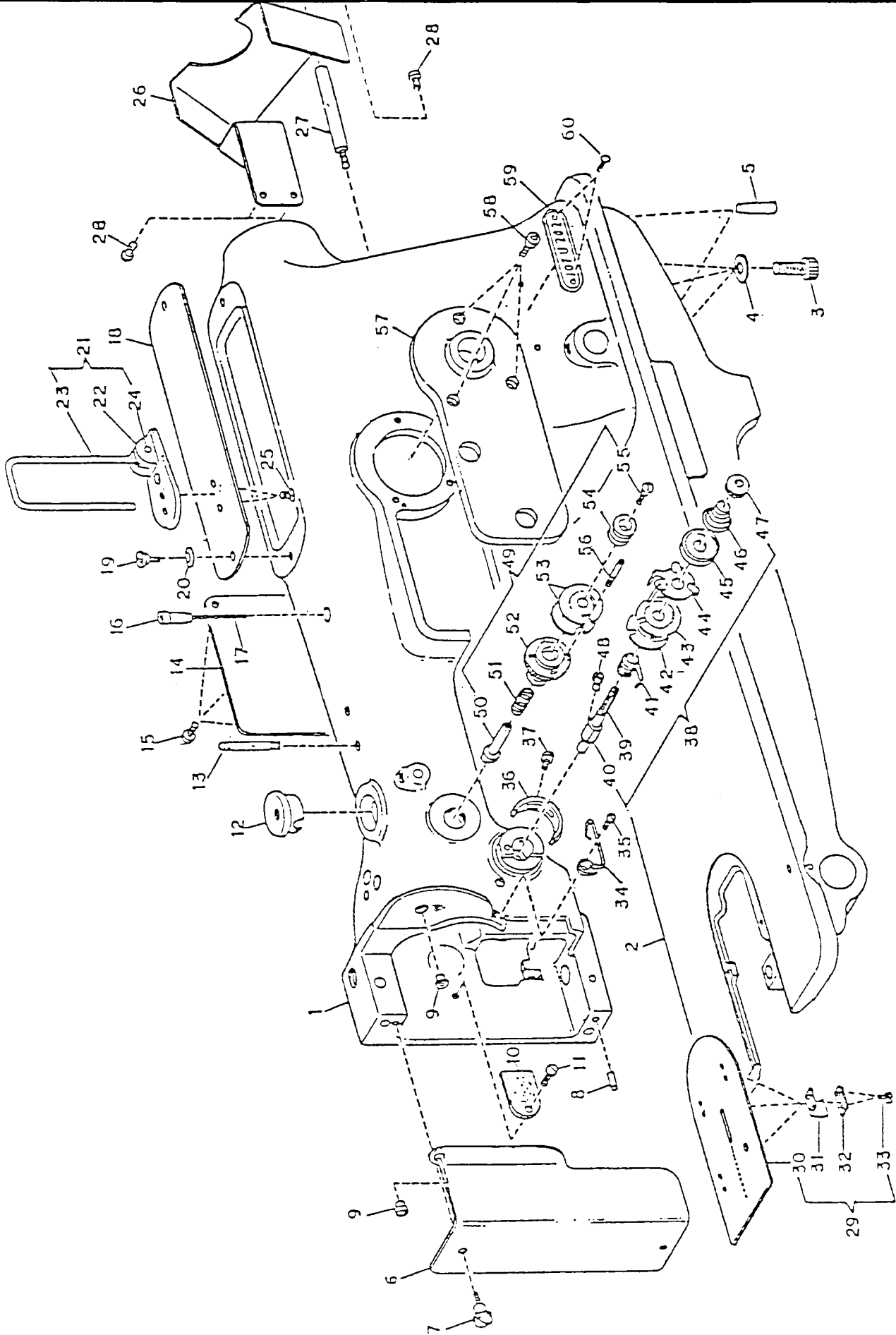
SINGER*

PRELIMINARY EDITION

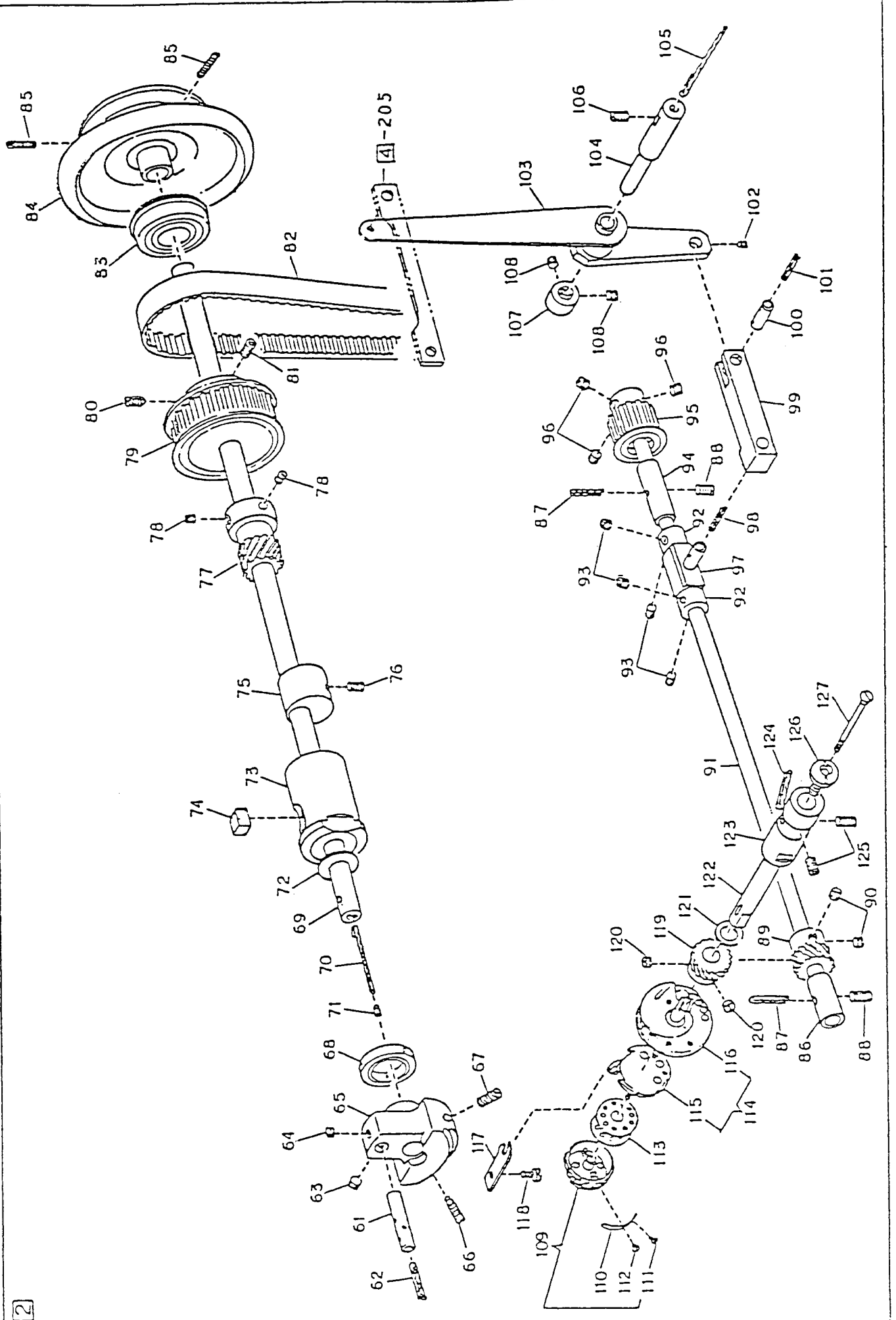
107U

From the library of: Diamond Needle Corp

| N o | Part No | Description | Amt. Req. |
|-----|---------|--|-----------|
| 1 | 504201 | Arm | 1 |
| 2 | 504202 | Bed | 1 |
| 3 | 420874 | Arm Screw | 3 |
| 4 | 420728 | Arm Screw Washer | 3 |
| 5 | 420746 | Arm Position Pin | 2 |
| 6 | 504203 | Face Plate | 1 |
| 7 | 420715 | Face Plate Screw | 1 |
| 8 | 210983 | Face Plate Position Screw | 1 |
| 9 | 504204 | Thread Guide Bushing | 2 |
| 10 | 202401 | Take-Up Lever Oiling Felt | 1 |
| 11 | 420875 | Take-Up Lever Oiling Felt Screw | 1 |
| 12 | 420718 | Arm Shaft Bushing Oil Paking Thumb Screw | 1 |
| 13 | 202412 | Thread Guide (on top of arm) | 1 |
| 14 | 504205 | Hook Cover | 1 |
| 15 | 504415 | Hook Cover Screw | 3 |
| 16 | 208568 | Oil Paipu | 1 |
| 17 | 504206 | Oil Paipu Wick | 1 |
| 18 | 504207 | Arm Cap | 1 |
| 19 | 420707 | Arm Cap Hinge Screw | 1 |
| 20 | 420730 | Arm Cap Hinge Washer | 1 |
| 21 | 504208 | Arm Cap Spool Holder Base Complete | 1 |
| 22 | 504209 | Arm Cap Spool Holder | (1) |
| 23 | 504210 | Arm Cap Spool Holder Wire | (1) |
| 24 | 420876 | Arm Cap Spool Holder Wire Hinge Screw | (1) |
| 25 | 420721 | Arm Cap Spool Holder Base Screw | 2 |
| 26 | 504211 | Belt Guard | 1 |
| 27 | 504212 | Belt Guard Spacer | 1 |
| 28 | 504416 | Belt Guard Screw | 3 |
| 29 | 504213 | Throat Plate Complete | 4 |
| 30 | 504214 | Throat Plate | (1) |
| 31 | 504215 | Throat Plate Spring | (3) |
| 32 | 420877 | Throat Plate Spring Washer | (3) |
| 33 | 420878 | Throat Plate Spring Screw | (6) |
| 34 | 210592 | Thread Guide | 1 |
| 35 | 420720 | Thread Guide Screw | 1 |
| 36 | 241443 | Thread Controller Spring Stopper | 1 |
| 37 | 420705 | Thread Controller Spring Stopper Screw | 1 |
| 38 | 202409 | Tension Complete | 1 |
| 39 | 200625 | Tension Stud | (1) |
| 40 | 204925 | Tension Stud Washer | (1) |
| 41 | 202410 | Tension Controller Spring | (1) |
| 42 | 244048 | Tension Disc (back) | (1) |
| 43 | 244049 | Tension Disc (front) | (1) |
| 44 | 244061 | Tension Release Washer | (1) |
| 45 | 263106 | Tension Spring Washer | (1) |
| 46 | 202407 | Tension Spring | (1) |
| 47 | 201572 | Tension Thumb Nut | (1) |
| 48 | 420879 | Tension Stud Set Screw | 1 |
| 49 | 504216 | Thread Controller Complete | 1 |
| 50 | 504217 | Thread Controller Shaft | (1) |
| 51 | 504218 | Thread Controller Shaft Spring | (1) |
| 52 | 504219 | Thread Controller Shaft Support Bracket | (1) |
| 53 | 244048 | Thread Controller Disc | (2) |
| 54 | 504220 | Thread Controller Disc Cap | (1) |
| 55 | 420719 | Thread Controller Disc Cap Screw | (1) |
| 56 | 420880 | Thread Controller Shaft Support Screw | (1) |
| 57 | 504221 | Needle Vibrator Eccentric Regulating Bracket Cover | 1 |
| 58 | 374065 | Needle Vibrator Eccentric Regulating Bracket Cover Screw | 3 |
| 59 | 504222 | Name Plate | 1 |
| 60 | 504418 | Name Plate Rivet | 2 |

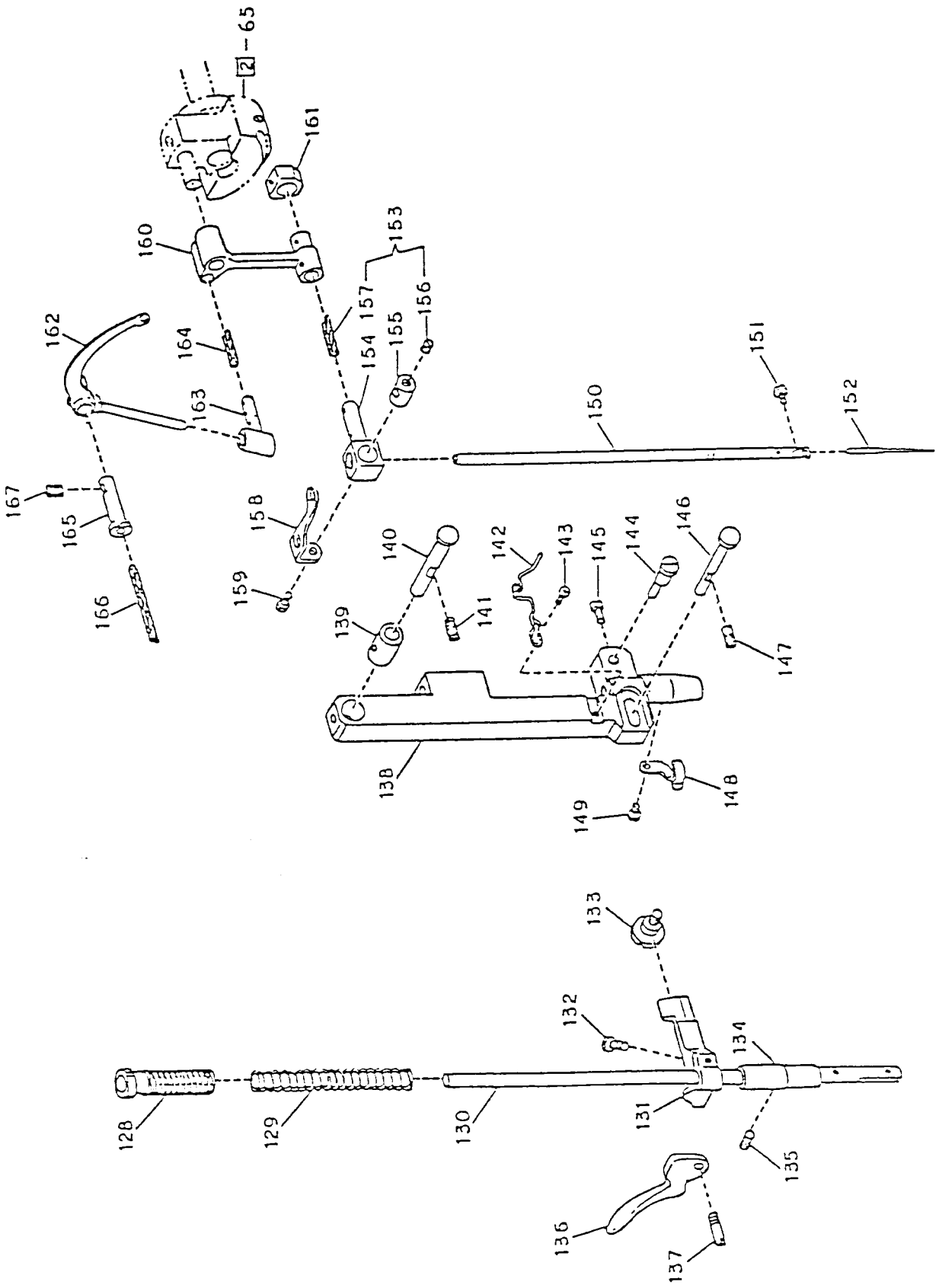


| N o | Part | Description | Amt. Req. |
|-----|------------|--|-----------|
| 61 | 224341 | Needle Bar Connecting Link Stud | 1 |
| 62 | 504206 | Needle Bar Connecting Link Stud Oil Wick | 1 |
| 63 | 200374 | Needle Bar Connecting Link Stud Set Screw (L) | 1 |
| 64 | 200383 | Needle Bar Connecting Link Stud Set Screw (S) | 1 |
| 65 | 224342 | Needle Bar Crank | 1 |
| 66 | 420714 | Needle Bar Crank Position Screw | 1 |
| 67 | 200335 | Needle Bar Crank Set Screw | 1 |
| 68 | 224375 | Thread Controller Shaft Roller | 1 |
| 69 | 504223 | Arm Shaft | 1 |
| 70 | 504224 | Arm Shaft Oil Wick | 1 |
| 71 | 420883 | Arm Shaft Oil Wick Stop Screw | 1 |
| 72 | 203172 | Needle Bar Crank Friction Washer | 1 |
| 73 | 504225 | Arm Shaft Bushing (frount) | 1 |
| 74 | 420729 | Arm Shaft Bushing (frount) Oil Wick | 1 |
| 75 | 504226 | Feed Lifting Connection Eccentric | 1 |
| 76 | 544209-006 | Feed Lifting Connection Eccentric Position Screw | 1 |
| 77 | 504227 | Needle Vibrator Worm | 1 |
| 78 | 544142 | Needle Vibrator Worm Set Screw | 2 |
| 79 | 504228 | Arm Shaft Connection Belt Pulley | 1 |
| 80 | 544209-006 | Arm Shaft Connection Belt Pulley Set Screw | 2 |
| 81 | 544209-005 | Arm Shaft Connection Belt Pulley Position Screw | 1 |
| 82 | 504229 | Arm Shaft Connection Belt | 1 |
| 83 | 504230 | Arm Shaft Bearing | 1 |
| 84 | 504231 | Balance Wheel | 1 |
| 85 | 141566 | Balance Wheel Set Screw | 1 |
| 86 | 504232 | Feed Lifting Rock Shaft (hollow) And Hook Driving Shaft Bearing Bushing (front) | 2 |
| 87 | 504233 | Feed Lifting Rock Shaft (hollow) And Hook Driving Shaft Bearing Bushing (front) Oil Wick | 2 |
| 88 | 544209-005 | Feed Lifting Rock Shaft (hollow) And Hook Driving Shaft Bearing Bushing Set Screw | 1 |
| 89 | 504234 | Hook Driving Bevel Pinion (steel) | 2 |
| 90 | 420888 | Hook Driving Bevel Pinion Set Screw | 2 |
| 91 | 504235 | Feed Lifting Rock Shaft | 2 |
| 92 | 504236 | Feed Lifting Rock Shaft Stop Collar | 2 |
| 93 | 544142 | Feed Lifting Rock Shaft Stop Collar Set Screw | 4 |
| 94 | 504237 | Feed Lifting Rock Shaft (hollow) And Hook Driving Shaft Bearing Bushing (rear) | 1 |
| 95 | 504238 | Hook Driving Bevel Pinion Shaft Belt Pulley | 1 |
| 96 | 544098 | Hook Driving Bevel Pinion Shaft Belt Pulley Set Screw | 1 |
| 97 | 504239 | Feed Lifting Rock Shaft Connecting Stud | 1 |
| 98 | 504240 | Feed Lifting Rock Shaft Connecting Stud Oil Wick | 1 |
| 99 | 504241 | Hook Timing Lever Connecting Link | 1 |
| 100 | 504242 | Hook Timing Lever Connecting Link Pin | 1 |
| 101 | 504240 | Hook Timing Lever Connecting Link Pin Oil Wick | 1 |
| 102 | 549368 | Hook Timing Lever Connecting Link Pin Stop Screw | 1 |
| 103 | 504243 | Hook Timing Lever | 1 |
| 104 | 504244 | Hook Timing Lever Shaft | 1 |
| 105 | 202423 | Hook Timing Lever Shaft Oil Wick | 1 |
| 106 | 549368 | Hook Timing Lever Shaft Set Screw | 1 |
| 107 | 504236 | Hook Timing Lever Collar | 1 |
| 108 | 544142 | Hook Timing Lever Collar Set Screw | 2 |
| 109 | 224418 | Bobbin Case Cap Complete | 1 |
| 110 | 224421 | Bobbin Case Tension Spring | (1) |
| 111 | 200598 | Bobbin Case Tension Spring Screw | (1) |
| 112 | 201016 | Bobbin Case Tension Spring Regulating Screw | (1) |
| 113 | 263099 | Bobbin | 1 |
| 114 | 504245 | Bobbin Case Base And Hook Complete | 1 |
| 115 | 224416 | Bobbin Case Base | (1) |
| 116 | — | Hook | (1) |
| 117 | 504247 | Bobbin Case Stop | 1 |
| 118 | 200161 | Bobbin Case Stop Screw | 1 |
| 119 | 504248 | Hook Shaft Bevel Gear (steel) | 1 |
| 120 | 420891 | Hook Shaft Bevel Gear Set Screw | 2 |
| 121 | 504249 | Hook Shaft Washer | 1 |
| 122 | 504250 | Hook Shaft | 1 |
| 123 | 504251 | Hook Shaft Bushing | 1 |
| 124 | 504252 | Hook Shaft Bushing Oil Wick | 1 |
| 125 | 544209-005 | Hook Shaft Bushing Set Screw | 2 |
| 126 | 350314 | Hook Shaft Position Screw | 1 |
| 127 | 200915 | Hook Position Screw | 1 |



| N o | Part No | Description | Amt. Req. |
|-----|------------|---|-----------|
| 128 | 420717 | Presser Bar Thumb Screw | 1 |
| 129 | 504253 | Presser Bar Spring | 1 |
| 130 | 244033 | Presser Bar | 1 |
| 131 | 504254 | Presser Bar Position Guide Lever | 1 |
| 132 | 200054 | Presser Bar Position Guide Lever Pinch Screw | 1 |
| 133 | 420724 | Presser Bar Lifting Releasing Lever Bracket Guide Screw | 1 |
| 134 | 504255 | Presser Bar Bushing | 1 |
| 135 | 544398 | Presser Bar Bushing Set Screw | 1 |
| 136 | 420750 | Presser Bar Lifter | 1 |
| 137 | 200653 | Presser Bar Lifter Hinge Screw | 1 |
| 138 | 504256 | Needle Bar Frame | 1 |
| 139 | 504257 | Needle Bar Frame Bush | 1 |
| 140 | 210548 | Needle Bar Frame Hinge Stud | 1 |
| 141 | 544209-005 | Needle Bar Frame Hinge Stud Set Screw | 1 |
| 142 | 504258 | Needle Bar Frame Thread Guide (up) | 1 |
| 143 | 420893 | Needle Bar Frame Thread Guide Screw | 1 |
| 144 | 504259 | Needle Bar Frame Pitman Eccentric Stud | 1 |
| 145 | 420879 | Needle Bar Frame Pitman Eccentric Stud Set Screw | 1 |
| 146 | 504260 | Needle Bar Frame Guide Stud | 1 |
| 147 | 544209-005 | Needle Bar Frame Guide Stud Set Screw | 1 |
| 148 | 224387 | Needle Bar Frame Thread Guide (low) | 1 |
| 149 | 420878 | Needle Bar Frame Thread Guide (low) Screw | 1 |
| 150 | 504261 | Needle Bar | 1 |
| 151 | 200141 | Needle Set Screw | 1 |
| 152 | 1955-01 | Needle | 1 |
| 153 | 504262 | Needle Bar Connecting Stud Complete | 1 |
| 154 | 504329 | Needle Bar Connecting Stud | 1 |
| 155 | 504263 | Needle Bar Connecting Stud Swivel | 1 |
| 156 | 420894 | Needle Bar Set Screw | 1 |
| 157 | 504233 | Needle Bar Connecting Stud Oil Wick | 1 |
| 158 | 504264 | Take-Up Auxiliary | 1 |
| 159 | 420875 | Take-Up Auxiliary Screw | 1 |
| 160 | 210543 | Needle Bar Connecting Link | 1 |
| 161 | 504265 | Needle Bar Connecting Link Slide Block | 1 |
| 162 | 224372 | Take-Up | 1 |
| 163 | 202399 | Take-Up Lever Driving Stud | 1 |
| 164 | 202277 | Take-Up Lever Driving Stud Oil Wick | 1 |
| 165 | 202400 | Take-Up Lever Hinge Stud | 1 |
| 166 | 202423 | Take-Up Lever Hinge Stud Oil Wick | 1 |
| 167 | 544209-005 | Take-Up Lever Hinge Stud Set Screw | 1 |

From the lib of Raymond, Needle Corp

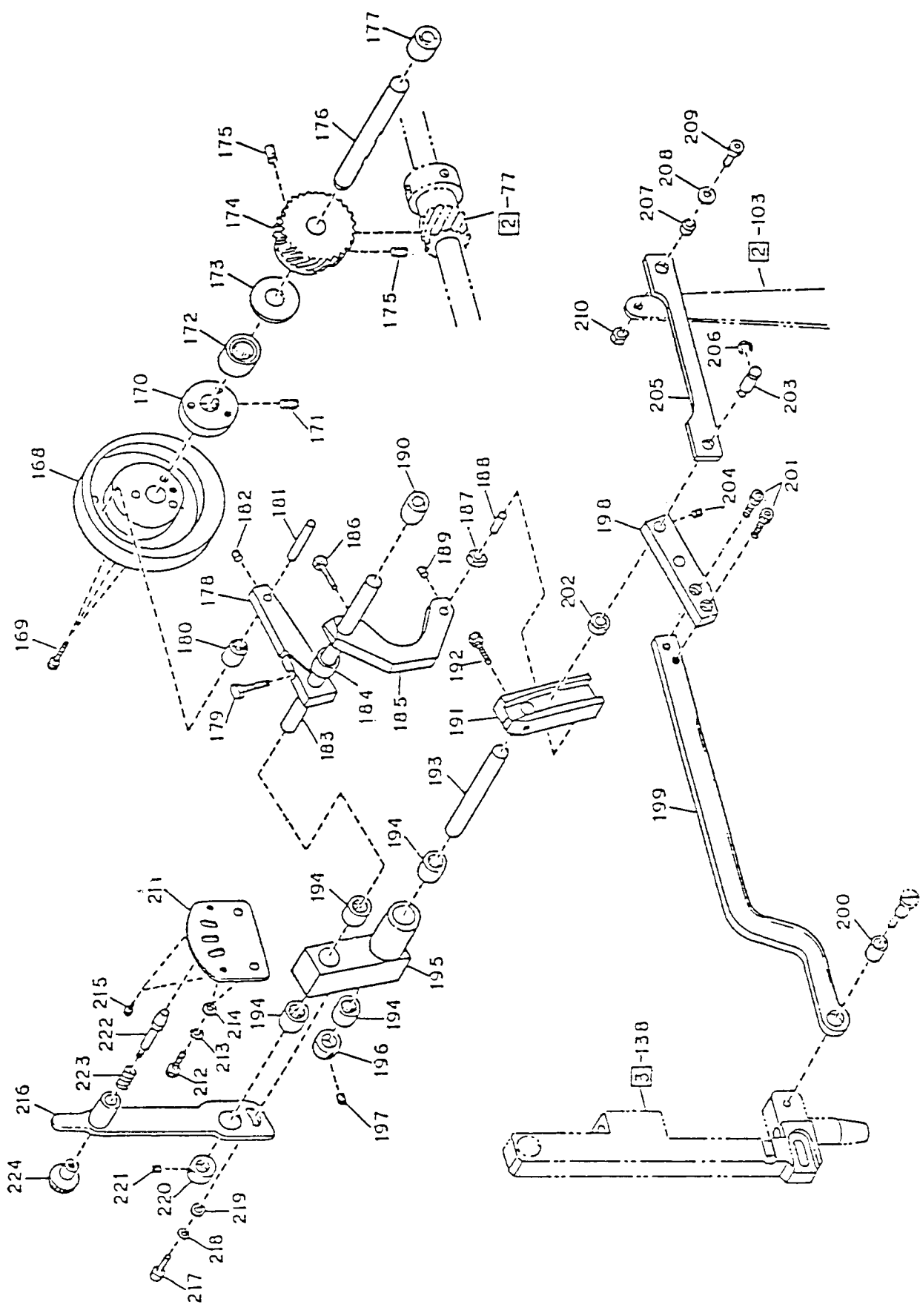


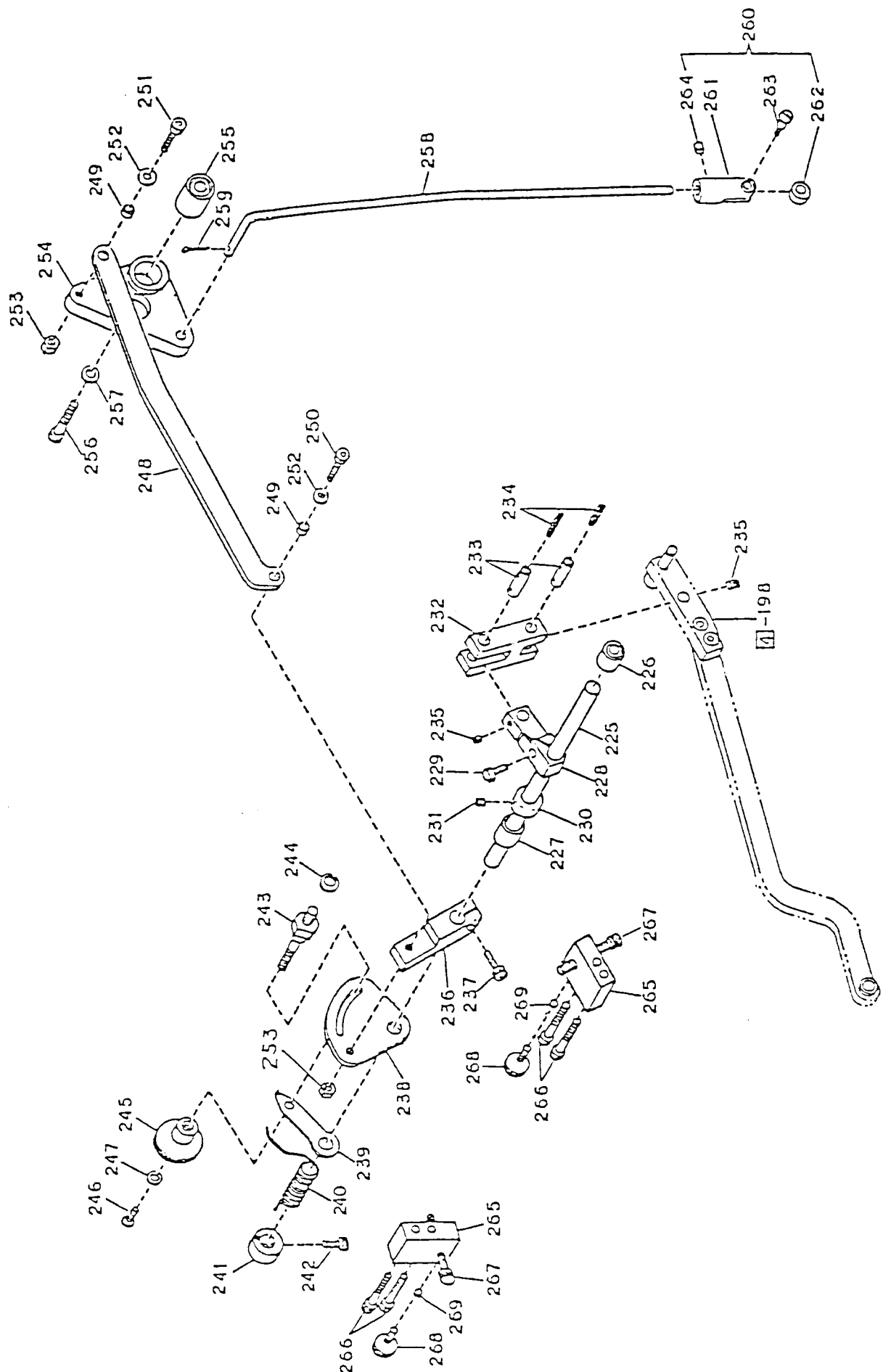
3

| N o | Part No | Description | Amt. Req. |
|-----|------------|---|-----------|
| 168 | 504266 | Needle Vibrator Cam | 1 |
| 169 | 414749-005 | Needle Vibrator Cam Set Screw | 3 |
| 170 | 504267 | Needle Vibrator Cam Rest | 1 |
| 171 | 544398 | Needle Vibrator Cam Rest Screw | 1 |
| 172 | 504268 | Needle Vibrator Cam Shaft Bearing (rear) | 1 |
| 173 | 203172 | Needle Vibrator Cam Shaft Gear Friction Washer | 1 |
| 174 | 504269 | Needle Vibrator Cam Shaft Gear | 1 |
| 175 | 544398 | Needle Vibrator Cam Shaft Gear Set Screw | 2 |
| 176 | 504270 | Needle Vibrator Cam Shaft | 1 |
| 177 | 504271 | Needle Vibrator Cam Shaft Bearing (front) | 1 |
| 178 | 504272 | Needle Vibrator Rock Shaft Lever | 1 |
| 179 | 420897 | Needle Vibrator Rock Shaft Lever Screw | 1 |
| 180 | 504273 | Needle Vibrator Rock Shaft Lever Roller | 1 |
| 181 | 504274 | Needle Vibrator Rock Shaft Lever Roller Shaft | 1 |
| 182 | 549368 | Needle Vibrator Rock Shaft Lever Roller Shaft Set Screw | 1 |
| 183 | 504275 | Needle Vibrator Rock Shaft | 1 |
| 184 | 504276 | Needle Vibrator Rock Shaft Bearing (rear) | 1 |
| 185 | 504277 | Needle Vibrator Segment Lever | 1 |
| 186 | 414760-001 | Needle Vibrator Segment Lever Screw | 1 |
| 187 | 504278 | Needle Vibrator Segment Lever Slide Block | 1 |
| 188 | 504279 | Needle Vibrator Segment Lever Slide Block Shaft | 1 |
| 189 | 549368 | Needle Vibrator Segment Lever Slide Block Shaft Screw | 1 |
| 190 | 504280 | Needle Vibrator Rock Shaft Bearing (front) | 1 |
| 191 | 504281 | Needle Vibrator Segment Box | 1 |
| 192 | 414760-001 | Needle Vibrator Segment Box Screw | 1 |
| 193 | 504282 | Needle Vibrator Segment Box Shaft | 1 |
| 194 | 504276 | Needle Vibrator Segment Box Bearing | 1 |
| 195 | 504283 | Needle Vibrator Segment Box Bracket | 1 |
| 196 | 504284 | Needle Vibrator Segment Box Shaft Collar | 1 |
| 197 | 549368 | Needle Vibrator Segment Box Shaft Collar Set Screw | 1 |
| 198 | 504285 | Needle Bar Frame Pitman (right) | 1 |
| 199 | 504286 | Needle Bar Frame Pitman (left) | 1 |
| 200 | 504287 | Needle Bar Frame Pitman (left) Bush | 1 |
| 201 | 374106-005 | Needle Bar Frame Pitman (right) Set Screw | 1 |
| 202 | 504288 | Needle Bar Frame Pitman Roller | 1 |
| 203 | 504289 | Needle Bar Frame Pitman Roller Shaft | 1 |
| 204 | 549368 | Needle Bar Frame Pitman Roller Shaft Set Screw | 1 |
| 205 | 504290 | Hook Timing Connecting Link | 1 |
| 206 | E-4 | Hook Timing Connecting Link "E" Ring | 1 |
| 207 | 504291 | Hook Timing Connecting Link Bush | 1 |
| 208 | 504401 | Hook Timing Connecting Link Shaft Screw Washer | 1 |
| 209 | 374106-008 | Hook Timing Connecting Link Shaft Screw | 1 |
| 210 | 504403 | Hook Timing Connecting Link Shaft Screw Nut | 1 |
| 211 | 504292 | Needle Bar Position Plate | 1 |
| 212 | 374065 | Needle Bar Position Plate Set Screw | 2 |
| 213 | 504404 | Needle Bar Position Plate Set Screw Spring Washer | 2 |
| 214 | 504436 | Needle Bar Position Plate Set Screw Washer | 2 |
| 215 | 504330 | Needle Bar Position Stopper | 2 |
| 216 | 504294 | Needle Bar Position Lever | 1 |
| 217 | 374065 | Needle Bar Position Lever Set Screw | 1 |
| 218 | 504438 | Needle Bar Position Lever Set Screw Spring Washer | 1 |
| 219 | 504439 | Needle Bar Position Lever Set Screw Washer | 1 |
| 220 | 504284 | Needle Bar Position Lever Collar | 1 |
| 221 | 549368 | Needle Bar Position Lever Collar Set Screw | 1 |
| 222 | 504295 | Needle Bar Position Lever Locking Screw Stud | 1 |
| 223 | 504296 | Needle Bar Position Lever Locking Screw Stud Spring | 1 |
| 224 | 504297 | Needle Bar Position Lever Locking Screw Stud Cap | 1 |

From the Library of: Diagnostics Needle Corp

[4]





| N o | Part No | Description | Amt. Req. |
|-----|------------|----------------------------------|-----------|
| 270 | 540523 | Bed Hinge Connection Cushion | 2 |
| 271 | 412212 | Bed Hinge Connection | 2 |
| 272 | 416286 | Bed Hinge Connection Screw | 4 |
| 273 | 504331 | Drip Pan | 1 |
| 274 | 259462 | Universal Bobbin Winder Complete | 1 |
| 275 | 504319 | Knee Lifter Complete | 1 |
| 276 | 504320 | Rest Pin | 1 |
| 277 | 504321 | Thread Unwinder (for two spools) | 1 |
| 278 | 504322 | Hoop | 1 |
| 279 | 1955-01 | Needle (for five) | 1 |
| 280 | 263099 | Bobbin | 3 |
| 281 | 504323 | Screw Driver (for small) | 1 |
| 282 | 504324 | Screw Driver (for middle) | 1 |
| 283 | 504325 | Screw Driver (for large) | 1 |
| 284 | 418441-003 | Hexagon Wrench (2.5mm) | 1 |
| 285 | 418441-004 | Hexagon Wrench (3.0mm) | 1 |
| 286 | 418441-005 | Hexagon Wrench (4.0mm) | 1 |
| 287 | 504326 | Wrench (8-10) | 1 |
| 288 | 504327 | Oiler | 1 |
| 289 | 504328 | Accessories Bag | 1 |

6

